

# Emergency stop and safety gate modules NA12D

CARLO GAVAZZI



- Safety Category 4 according to EN 954-1
- Redundant circuit
- Force guided relay contacts
- Dual channel input
- 2 NO safety outputs
- Failure diagnosis by LEDs
- Feedback circuit for external contactors monitoring
- Automatic or manual start

## Product Description

Emergency stop and safety gate module according to EN 60204-1, EN 292-1 /-2, EN 418 and EN 1088. The safety module is in safety category 4 and is provided with 2 NO safety outputs. It can be used together with safety magnetic sensors SMS series, safety switches or emergency push buttons.

## Ordering Key

**NA12 D**

Housing \_\_\_\_\_  
 Application \_\_\_\_\_  
 Controlled Devices \_\_\_\_\_  
 Safety Outputs \_\_\_\_\_  
 Safety Category \_\_\_\_\_

## Electrical Specifications

<b>Power supply</b>	24 VAC -15/+10% 50-60Hz / 24 VDC -15/+10%	<b>Safety output contact fuse protection</b>	5 A fast or 4 A delayed
<b>Power consumption</b>	< 5 VA / 5 W	<b>Insulation voltage</b>	none
<b>Safety outputs</b>	2 NO	Supply to input	4 kV 1.2/50µs
<b>Auxiliary outputs</b>	--	Supply to output	4 kV 1.2/50µs
<b>Contact ratings</b>		Input to output	Pollution degree 2
Resistive loads AC1	6 A @ 230 VAC		Overvoltage category III
DC12	6 A @ 24 VDC		
Small inductive loads AC15	3 A @ 230 VAC		
DC13	2.5 A @ 24 VDC		

## Time Specifications

<b>Delay on energisation</b>	≤ 150 ms
<b>Delay on de-energisation</b>	≤ 30 ms
<b>Recovery time</b>	≥ 30 ms
<b>Channel simultaneity</b>	∞

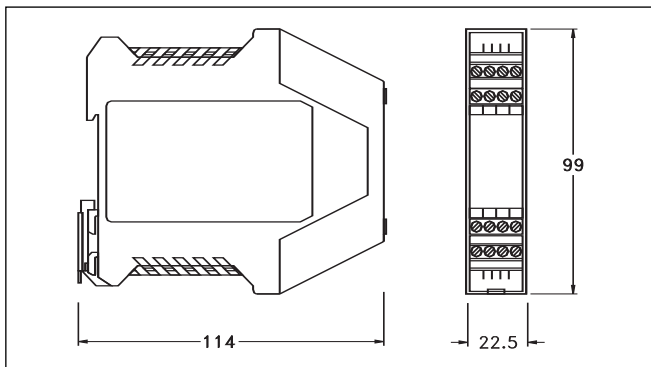
## Environmental Specifications

<b>Operating temperature</b>	-20°C ... + 65°C
<b>Storage temperature</b>	-25°C ... + 65°C

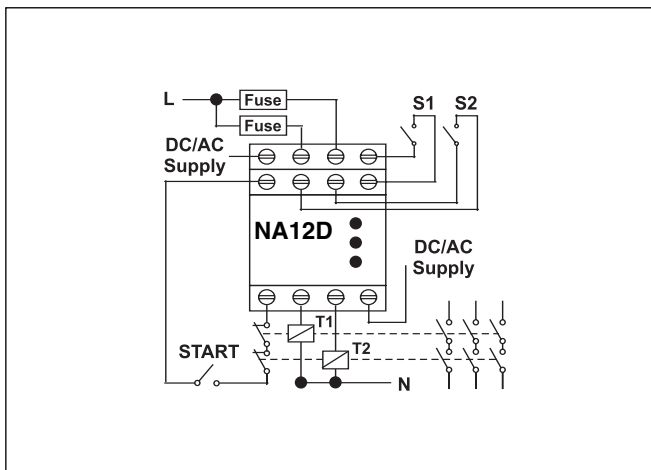
## Mechanical Specifications

<b>Protection degree terminals</b>	IP 20	<b>Max cross section of external conductors</b>	2.5 mm <sup>2</sup> flexible wire 2.5 mm <sup>2</sup> rigid wire
<b>Protection degree housing</b>	IP 40	<b>Dimensions</b>	22.5 x 99 x 114 mm
<b>Housing material</b>	Polyamid PA 6.6	<b>Weight</b>	200 g
<b>Housing type</b>	22.5 mm housing models		
<b>Mounting</b>	DIN rail		

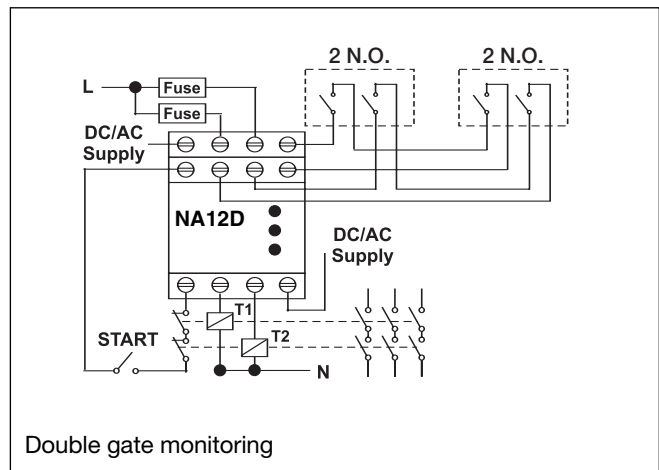
## Dimensions



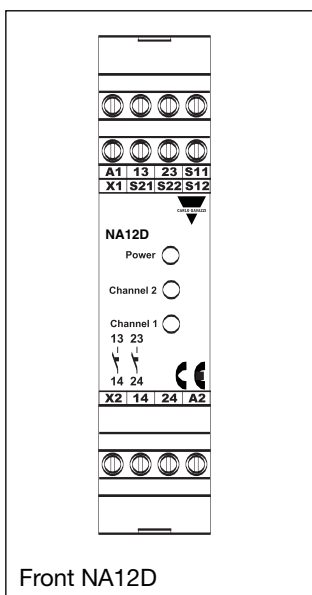
## Wiring Diagrams



## Application



## Connection Sample



## Connections

Terminal	Function/Connection
A1	+24 VDC or AC supply
A2	GND or AC supply
S11-S12	First input channel (NO)
S21-S22	Second input channel (NO)
X1-X2	Feedback and Reset circuit input
13-14	First safety output (NO)
23-24	Second safety output (NO)