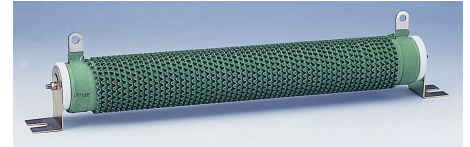
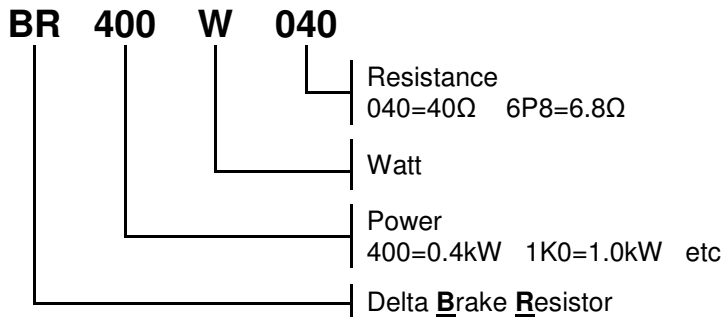
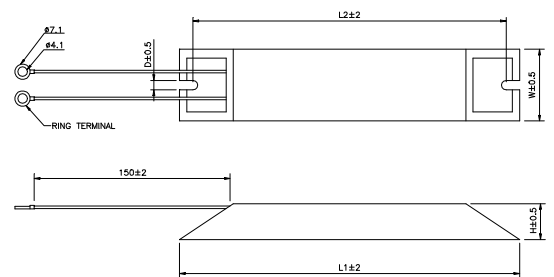


## Type number key

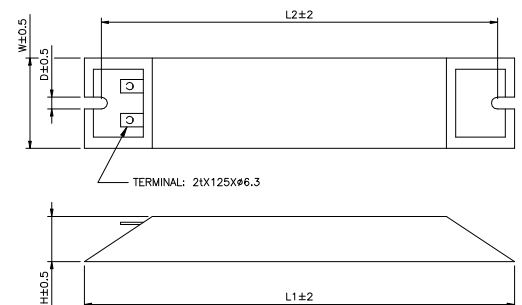


## Dimensions, Power, Resistance

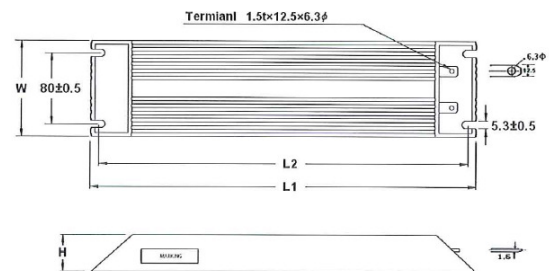
Resistor type	Power (kW)	Resistance (Ω)	L1 (mm)	L2 (mm)	H (mm)	D (mm)	W (mm)	Weight (kg)
BR080W200	0.08	200	140	125	20	5.3	40	0.16
BR080W750		750						
BR200W091	0.2	91	165	150	30	5.3	60	?
BR200W360		360						
BR300W070	0.3	70	215	200	30	5.3	60	0.75
BR300W100		100						
BR300W250		250						
BR300W400		400						
BR400W150	0.4	150	265	250	30	5.3	60	0.93
BR400W040		40						



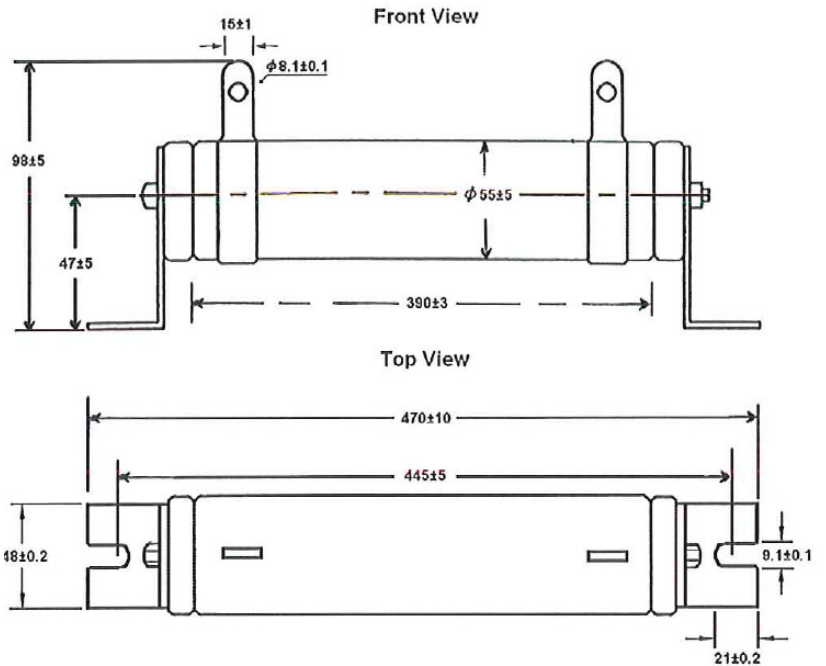
Resistor type	Power (kW)	Resistance (Ω)	L1 (mm)	L2 (mm)	H (mm)	D (mm)	W (mm)	Weight (kg)
BR500W030	0.5	30	335	320	30	5.3	60	1.1
BR500W100		100						



Resistor type	Power (kW)	Resistance (Ω)	L1 (mm)	L2 (mm)	H (mm)	D (mm)	W (mm)	Weight (kg)
BR1K0W020	1.0	20	400	385	50	5.3	100	2.8
BR1K0W075		75						



Resistor type	Power (kW)	Resistance ( $\Omega$ )
BR1K0W5P1	1.0	5.1
BR1K0W016		16
BR1K0W050		50
BR1K2W3P9	1.2	3.9
BR1K2W6P8		6.8
BR1K2W008		8
BR1K5W3P3	1.5	3.3
BR1K5W005		5
BR1K5W013		13
BR1K5W040		40
BR1K5W043		43



### Brake resistor type vs. Drive type (Voltage&Power)

For use in the different drives, either with built-in brake chopper or additional; option brake unit, please refer to the related user manuals.

[www.euro.delta-corp.com](http://www.euro.delta-corp.com)

